

Go World - Installation

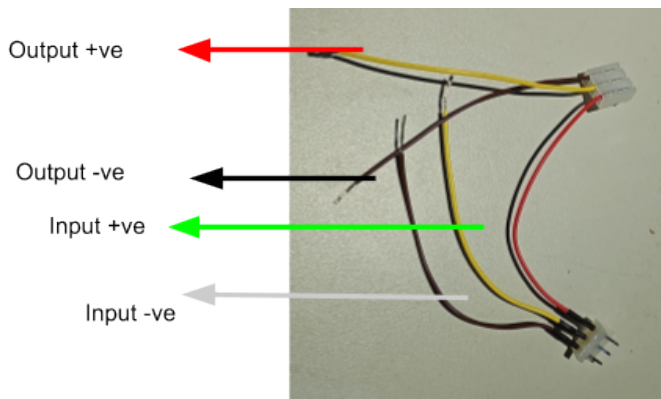
(A) From Chinese brands such as **Go World**, **Octopus**, and **Oasis**.

Example: Go World Stack Washer/Dryer



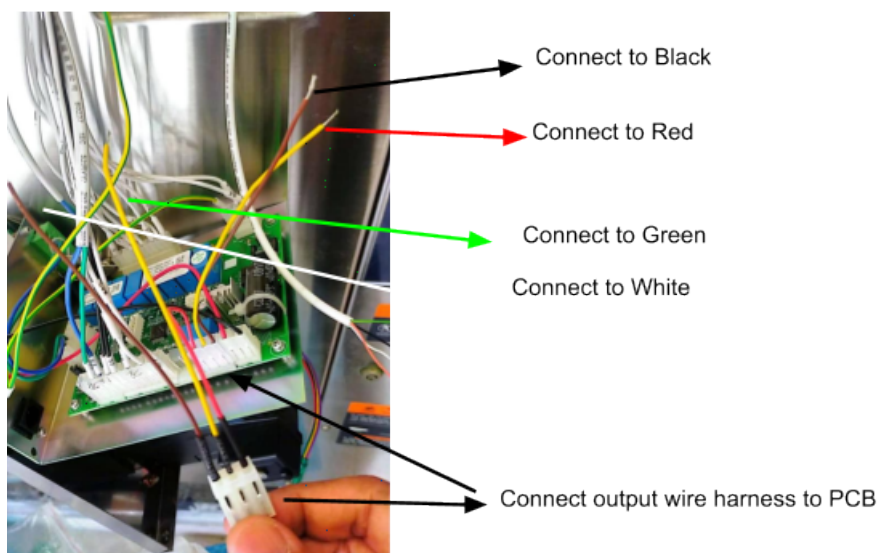
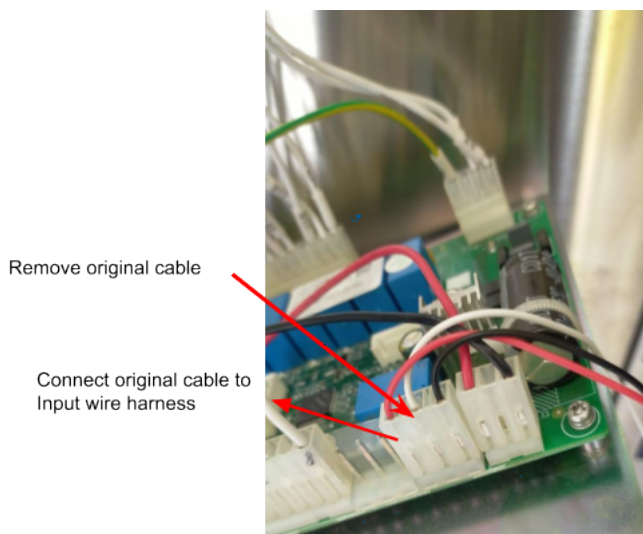
Washer/Dryer Harness connection

1. These models are equipped with a specific harness connector designed to connect to the machine's board.
2. Connect the wire harness according to the input and output shown in the picture below from the Alpha-1 device .



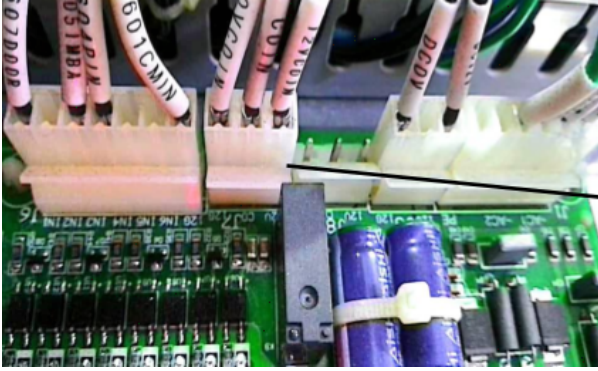
(B) Go world dryer

3. As shown in the picture below, remove the connector from the board, connect the output to the board, and connect the input to the removed connector.



(C) Go World Washer

4. As shown in the picture below, remove the connector from the board, connect the output to the board, and connect the input to the removed connector.



Connect wire harness to this point.

5. Connect the input and output harness cables to the 4-core wire from the Alpha-1 device.



Cable connect to wire harness

(D) Looping in Alpha-1 for both Washer/Dryer

6. Loop the input negative(-) and output negative(-) to a common ground connection.



Revision #2

Created 15 August 2025 08:25:36 by KUNA

Updated 15 August 2025 09:31:23 by KUNA